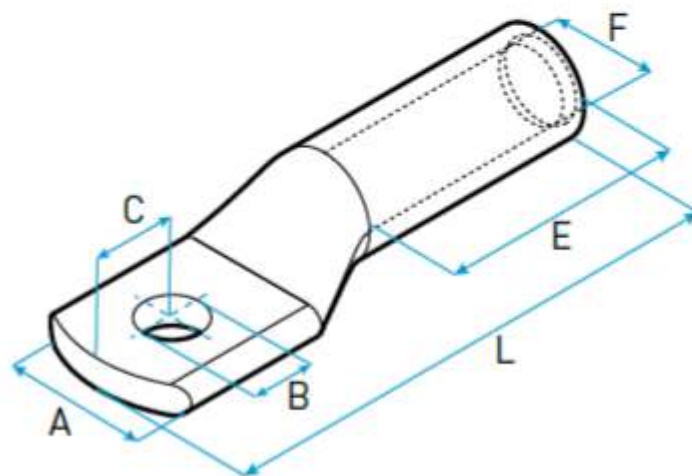


SCA

Terminal de aluminio. Un orificio. Tubo standard.
Aluminum lug. One hole. Standard barrel length.



Material / Material:
 Aluminio 99.5%.
 Aluminum (99.5%).

Terminal a compresión de un orificio, tubo largo, para conductores de aluminio.

- Fabricado en aluminio de alta conductividad.
- Largo de tubo extendido, permitiendo realizar varias compresiones en el mismo, garantizando una mayor resistencia a la tracción.
- Tubo fresado para facilitar la inserción del conductor.
- Recubrimiento superficial de estaño, disponible bajo pedido.

Long Barrel, One Hole Lug for Aluminum Conductors.

- Manufactured from high conductivity thick wall wrought aluminum.
- Long barrel maximizes number of crimps and guarantees optimum wire pull-out strength and electrical performance.
- Beveled wire entry for fast and easy cable insertion.
- Enclosed barrel for use in harsh environments.
- Tin-plating available upon request.

| MODELO PART # | SECCIÓN mm ² CONDUCTOR mm ² | Ø (pulgadas) Ø (inches) | B (mm) | A | C | E | F | L |
|------------------|--|----------------------------|--------|----|----|----|------|-----|
| SCA 10 | 10 | 5/16 | 8 | 16 | 8 | 19 | 5 | 43 |
| SCA 16 | 16 | 5/16 | 9 | 19 | 12 | 22 | 6 | 50 |
| SCA 25 | 25 | 5/16 | 9 | 21 | 12 | 23 | 7,5 | 56 |
| SCA 35 | 35 | 3/8 | 10 | 22 | 13 | 25 | 9 | 59 |
| SCA 50 | 50 | 3/8 | 10 | 25 | 12 | 33 | 10,5 | 68 |
| SCA 70 | 70 | 1/2 | 14 | 28 | 13 | 36 | 12 | 75 |
| SCA 95 | 95 | 1/2 | 14 | 31 | 14 | 42 | 14 | 82 |
| SCA 120 | 120 | 1/2 | 14 | 34 | 16 | 41 | 16 | 90 |
| SCA 150 | 150 | 1/2 | 14 | 34 | 18 | 46 | 17,5 | 99 |
| SCA 185 | 185 | 5/8 | 16 | 39 | 19 | 58 | 20 | 109 |
| SCA 240 | 240 | 5/8 | 17 | 44 | 21 | 57 | 22 | 122 |
| SCA 300 | 300 | 5/8 | 17 | 49 | 23 | 68 | 24 | 128 |
| SCA 400 | 400 | 5/8 | 17 | 56 | 28 | 85 | 27 | 183 |